



**AERONS  
SPEAKER**  
PROFESSIONAL AUDIO SYSTEM



# PRO15/2226

**1000W RMS Power**  
**39Hz - 3KHz Frequency Range**  
**4 inch Voice Coil**  
**97.3dB Sensitivity**  
**Optimized magnet and FEA analyse**

## GENERAL SPECIFICATIONS

Nominal Diameter	15inch
Nominal Impedance	8ohm
Minimum Impedance	5.6 ohm
Nominal Power Handling	1000 Watts
Continuous Power Handling	4000 Watts
Sensitivity	97.3 dB
Frequency Range	39-3 KHz
Voice-coil Diameter	99.3 mm
Voice-coil Material	CCAW
Kind of layer	in/out
Magnet Diameter	220*30mm
Magnet Material	Ferrite

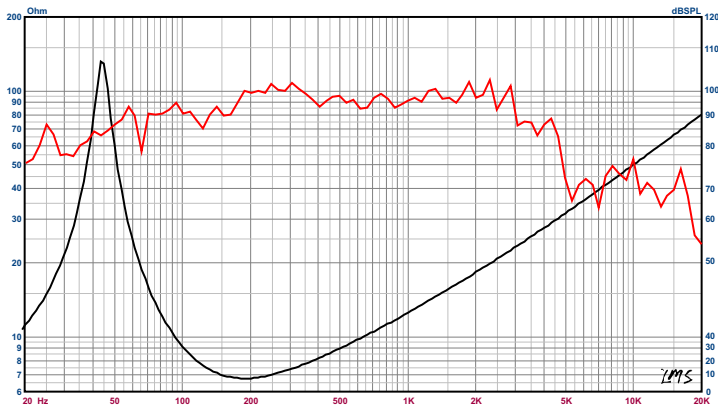
## THIELE-SMALL PARAMETERS

Resonance Frequency	Fs	45Hz
DC Resistance	Rte	5.6 ohm
Mechanical Factor	Qms	7.636
Electrical Factor	Qes	0.367
Total Factor	Qts	0.35
BL Factor	BL	20.5 T-m
Effective Moving Mass	Mms	97 gr
Equivalent Cas Air Load	Vas	173.4.2liter
Effective Piston Area	Sd	0.88Kcm2
Max. Linear Excursion	Xmax	8.8mm
Vibration velocity	Cms	0.127

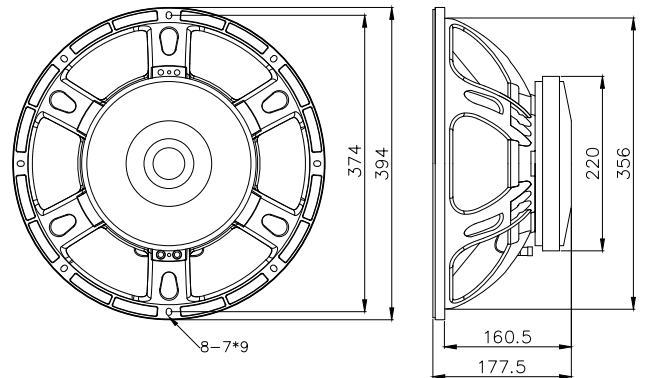
## MOUNTING&SHIPPING INFORMATION

Overall Diameter	394mm
Baffle Cut-out Dia.	356mm
Bolt Circle Dia.	374mm
Gasket Thickness	14mm
Overall Depth	177.5mm
Net Weight	13.05kg

## FREQUENCY RESPONSE AND IMPEDANCE CHART



## DIMENSIONS (mm)



**AERONS  
SPEAKER**  
PROFESSIONAL AUDIO SYSTEM

[www.aeronsindia.com](http://www.aeronsindia.com)